

SR10000 Recorder

Please make the following alterations to the User's Manual IM 04P03B01-02E.

Function Upgrades and Versions

The following functions have been added to the SR10000 Recorder.

Firmware Version	Added Functions
1.31	Header printout (/BT1 option)

Page 5 Please note the addition of "MODEL and SUFFIX Code" (Underlined).

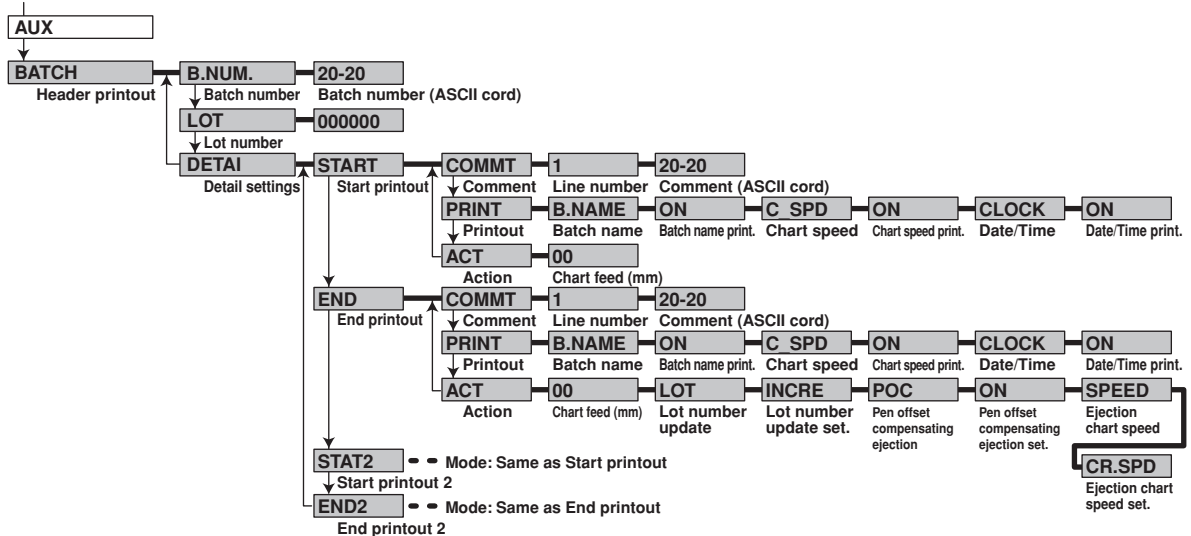
Suffix Code	-2	English / <u>German</u> / <u>French</u> & deg F / DST
Optional Code	<u>/BT1</u>	Header printout

Pages 11 and 13 Please note the addition of "Input Signal Wiring" and "Option Terminal Wiring"

CAUTION

- The input and option terminals of this instrument are specific to this instrument. Do not connect to the input terminals or option terminals of the SR1000 or other models as malfunction can result.

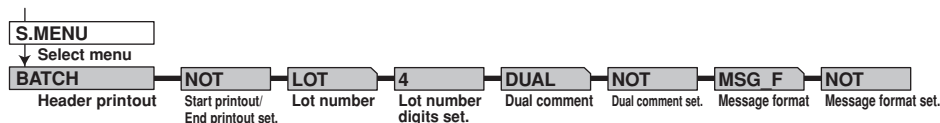
Page 20 Please note the addition of calibration correction and header printout settings to "Menu Structure of Setting Mode."



Page 21 Please note the addition of “Setup Items in Setting Mode and Their Default Values.”

Setup Item	Pen/Dot	Selectable Range or Settings	Default Value
BATCH > Batch number	-	26 characters or less	Blank
> Lot number	-	0-9999 or 0-999999	0
> DETAI > START > COMMT > Line No.	-	1/2/3/4/5	1
> COMMT > Line No. > Comment	-	32 characters or less	Blank
> PRINT > Batch Name	-	ON (printout)/ OFF (do not printout)	ON
> PRINT > Chart Speed	-	ON (printout)/ OFF (do not printout)	ON
> PRINT > Clock	-	ON (printout)/ OFF (do not printout)	ON
> ACTION > Feed	-	0 to 50 mm	0 mm
> END > COMMT > Line No.	-	1/2/3/4/5	1
> COMMT > Line No. > Comment	-	32 characters or less	Blank
> PRINT > Batch Name	-	ON (printout)/ OFF (do not printout)	ON
> PRINT > Chart Speed	-	ON (printout)/ OFF (do not printout)	ON
> PRINT > Clock	-	ON (printout)/ OFF (do not printout)	ON
> ACTION > Feed	-	0 to 50 mm	0 mm
> ACTION > Auto inc.	-	INCRE (update)/ UNCHG (do not update)	INCRE
> ACTION >			
Pen offset compensating ejection Pen Model		ON (eject)/ OFF (do not eject)	OFF
> ACTION > Ejection chart speed Pen Model		CR.SPD (current chart speed)/ 450 mm/h (fixed)	CR.SPD
> STAT2 ... Same as Start			
> END2 ... Same as End			

Page 22 Please note the addition of header printout settings to “Menu Structure of Basic Setting Mode.”



Page 24 Please note the addition of the underlined text and header printout to “Setup Items in Basic Setting Mode and Their Default Values”

Remote Control Function (/R1 option)

Setup Items	Pen/Dot	Selectable Range or Settings	Default Value
REM > Type	-	: MSG1 (message 1) to MSG5 (message 5)/ PR.RCD (Priority to remote recording)/(BT1)/ DUAL (Batch comment switching)/(BT1)/ NONE	
		/BT1: option	

:

Calibration Correction Function (/CC1 Option)

:

Header Printout (/BT1 Option)

Setup Items	Pen/Dot	Selectable Range or Settings	Default Value
BATCH > Lot Number	-	4 (4 digits)/ 6 (6 digits)/ NOT	4
> Dual comment	-	NOT/USE	NOT
> Message format	-	NOT/USE	NOT